

PRODUCT DATA SHEET

# TWIST

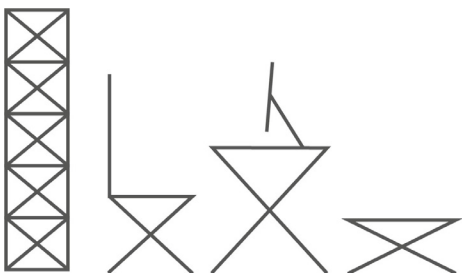
Sofa System

## DESIGN

T Design Studio

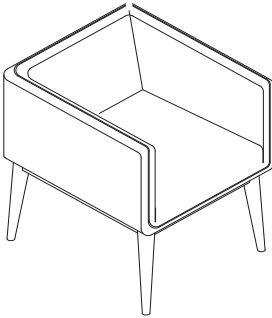


Colors are a part of the life and nature. There are a variety of shapes in nature. Different colors and different shapes reflects our taste and our choices create our living spaces.





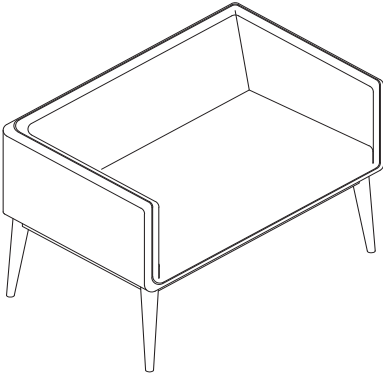
**tunaofis**

# VARIATIONS





Armchair (Wooden Leg)

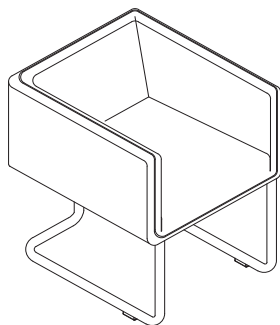
Single Seater		
Product Code	L/W/H (cm)	Fabric
7300.14.01KT1	67x65x74	Category 1
7300.14.01KT2	67x65x74	Category 2
7300.14.01KT3	67x65x74	Category 3
Gross Weight		
	37 kg	
Packaging		
	83x82x97 cm (0,66 m³) 43 kg	



Sofa (Wooden Leg)


Double Seater		
Product Code	L/W/H (cm)	Fabric
7300.14.21KT1	125x65x74	Category 1
7300.14.21KT2	125x65x74	Category 2
7300.14.21KT3	125x65x74	Category 3
Gross Weight		
	60 kg	
Packaging		
	132x82x97 cm (1,05 m³) 68 kg	


# VARIATIONS

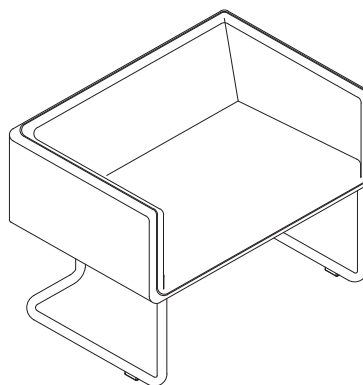


Armchair (Metal Leg)

Single Seater		
Product Code	L/W/H (cm)	Fabric
7300.14.02KT1	67x65x74	Category 1
7300.14.02KT2	67x65x74	Category 2
7300.14.02KT3	67x65x74	Category 3


Gross Weight	
	37 kg


Packaging	
	83x82x97 cm (0,66 m <sup>3</sup> ) 43 kg



Sofa (Metal Leg)

Double Seater		
Product Code	L/W/H (cm)	Fabric
7300.14.22KT1	125x65x74	Category 1
7300.14.22KT2	125x65x74	Category 2
7300.14.22KT3	125x65x74	Category 3

Gross Weight	
	60 kg

Packaging	
	132x82x97 cm (1,05 m <sup>3</sup> ) 68 kg

# INFORMATION

## **Fabrics**

You can use all fabrics from Category 1, Category 2, Category 3.

Category 1: Lucia, Artificial Leather.

Category 2: Urban Plus, Gravity, Alk Bello, Chateau Plus.

Category 3: Synergy, Nexus.

Please, see Product Data Sheet for Fabrics.

## **Legs**

Legs are from metal and Wood.

Please, see Product Data Sheet for Materials.

## **Combinations**

You can combine with coffee tables or poufs.

Please, see Product Data Sheet for Coffee Tables and Poufs.