

PRODUCT DATA SHEET

# TALK

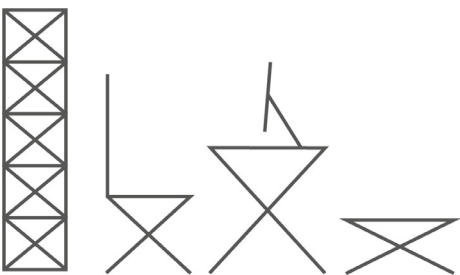
Chair System

## DESIGN

Ozan Sinan Tiğlıoğlu





The name of the product come from the action itself. The product, which carries Scandinavian design characters, offers upholstered and painted options.

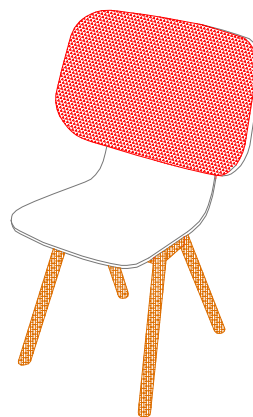




**tunaofis**

# VARIATIONS

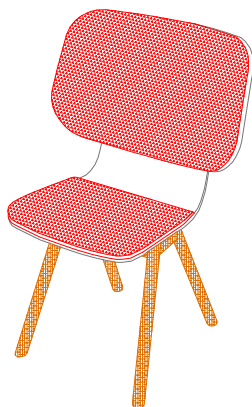




Chair (Standard Base)		
Product Code	L/W/H (cm)	Material
8250 04101	55x63-45x90	Laminate
8250 04102	55x63-45x90	Painted
Gross Weight		
 KG	4,5 kg	
Packaging (for 2 product)		
	60x60x100 cm (0,36 m <sup>3</sup> ) 10 kg	



Chair (Version 1)		
Product Code	L/W/H (cm)	Material
8250 04201	55x63-45x90	Category 1+Lmn.
8250 04202	55x63-45x90	Category 2+Lmn.
8250 04203	55x63-45x90	Category 3+Lmn.
Gross Weight		
 KG	4,5 kg	
Packaging (for 2 product)		
	60x60x100 cm (0,36 m <sup>3</sup> ) 10 kg	

# VARIATIONS



Chair (Version 2)		
Product Code	L/W/H (cm)	Material
8250 04301	55x63-45x90	Category 1+Lmn.
8250 04302	55x63-45x90	Category 2+Lmn.
8250 04303	55x63-45x90	Category 3+Lmn.
Gross Weight		
	4,5 kg	
Packaging (for 2 product)		
	60x60x100 cm (0,36 m <sup>3</sup> ) 10 kg	

# INFORMATION

## Combines

You can combined with coffee tables and table systems.

Please, see Coffee Tables and Tables data sheet.

## Colors

You can use all fabric which includes Category 1, Category 2, Category 3.

Please, see Colors data sheet.

Category 1: Lucia.

Category 2: Gravity.

Category 3: Synergy, Nexus.

Get information on laminate colors. Not suitable for every laminate production.

## Legs

Solid legs are natural painting.

